

# The Lobster Pot Camera System

## Overview

The Lobster Pot camera is a highly resilient, high resolution long term monitored time lapse camera. Tested in extremes of temperature and weather in over 25 countries across six continents, it's the benchmark for quality - allowing you to monitor and document your project, anywhere.

The fully monitored service we provide together with the training and experience of our team, offers the reassurance that you will have the best possible solution, whatever your project demands.

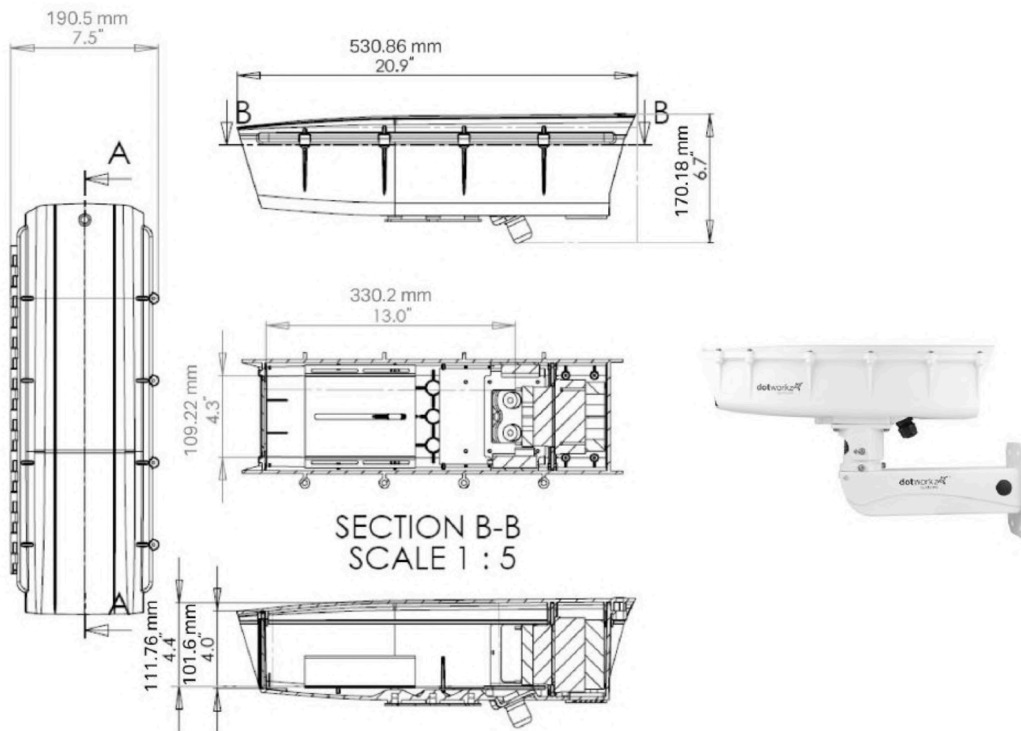
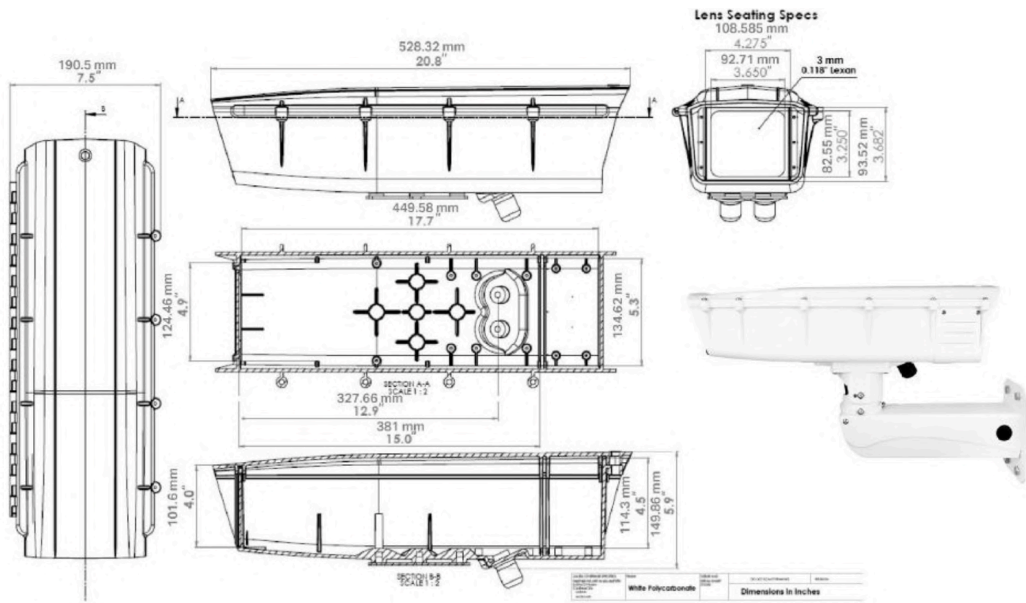


At Lobster Pictures we're proud to be one of the few time lapse companies to test, build and develop our cameras in-house, at our workshop facility here in Bristol, UK.

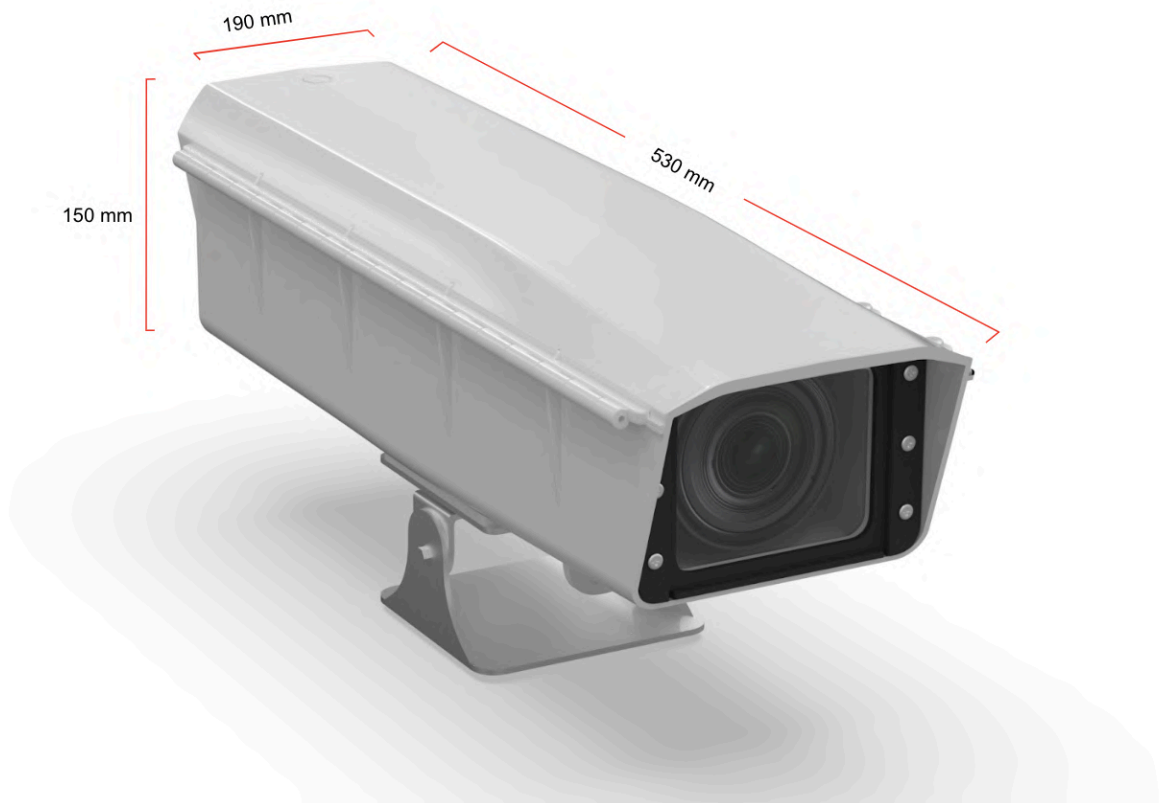
## LP4 camera: Weight and Dimensions

Weight	Length	Width	Depth
6 kg	530 mm	190 mm	150 mm

# Technical drawings



# LP4 camera render



Lobster Pot 4 (LP4) redefines construction time lapse and monitoring. We have brought decades of construction industry experience to design and build the most resilient, power-efficient and reliable camera possible.

LP4 uses a digital stills camera, a professional lens and a high capacity lightweight battery and solar panel, for installation anywhere.

Secure connection to Lobster Vision lets you easily share and show off your project in the highest quality available.

6K variant: Image Quality	
Resolution	6000 x 4000 (24 megapixels, 12 times HD resolution)
Sensor	Canon APS-C
Lens	Canon 10-22mm Field of View: 54-97° horizontal, 38-74° vertical
9K variant: Image Quality	
Resolution	9500 x 6300 (61 megapixels, 30 times HD resolution)
Sensor	Sony full-frame 35mm

Lens	Nikkor 17-35mm <sup>1</sup> Field of View: 54-93° horizontal, 38-70° vertical
<b>Time Lapse and Monitoring with Lobster Vision</b>	
Interval time	10 minutes, standard 30 seconds, short periods <sup>2</sup>
Time Lapse	Create HD films of any part of the frame and any times and dates Professional editing services available
Lobster Vision	Full administrative access Add, remove and manage user access Download full-resolution images Compare progress at any date or time
<b>Communications</b>	
Wifi	Ad-hoc wifi to allow fast set up Live view included
Cellular	4G SIM card included Use your own SIM option <sup>3</sup>
<b>Data Security</b>	
Encryption	128-bit AES encryption between camera and Lobster Vision
Localisation	AWS platform allowing localisation in any AWS-presence territory.
Obscuring	Face blurring, area blocking, blurring or pixelation
<b>Environmental</b>	
Dimensions	Enclosure only: 528mm(l) x 150mm(h) x 191mm (w) <sup>4</sup>
Weight	6.2 kg including knuckle
IP rating	IP66 (dust-tight, protected against powerful water jets)
Temperature range	-20°C to +55°C
<b>Electrical</b>	
Power source	12v DC IP68 outdoor mains power adapter supplied: 100-230v AC, 50-60Hz Solar panel can be supplied (50W)
Internal battery	Lithium Iron Polymer 12.8v, 12Ah Total energy 153.6 Wh Powers system for nine days under standard conditions <sup>5</sup>
Warranty	Self-Install model: two year return to base Full Service model - any issue that cannot be resolved remotely, our team will attend at no cost to repair, worldwide <sup>6</sup>

1. Any suitable professional lens can be deployed, dependent on site requirements
2. Periods of up to five hours can use shorter interval; additional data charges may apply.
3. SIM provided for all European countries. Weatherproof SIM slot on underside of camera.
4. Dimension with 3D knuckle: 245mm (h)
5. 10 minute interval, 0700-1900, seven days a week
6. If the fault is caused by vandalism, theft or accidental damage on site, charges will be applied.